



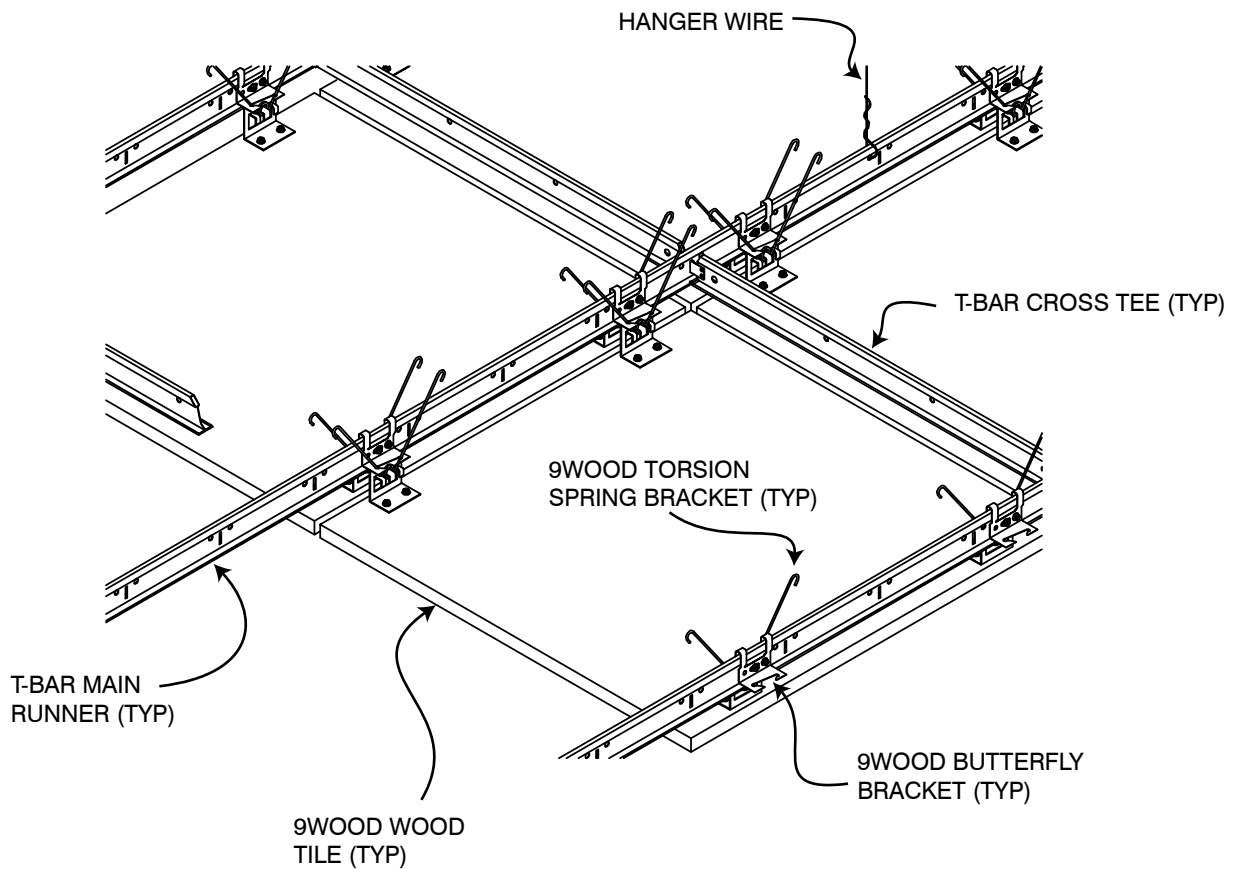
4400 Data Sheet



SERIES: 4000 WOOD TILES

STYLE: 4400 TORSION SPRING TILE

Overview



The **4400 Torsion Spring Tile** wood ceiling offers a floating tiled appearance with downward access. The 4400 style snaps up into butterfly-notched T-Bar brackets. Reveals, typically 3/8", conceal suspension grid.

Attachment for the Torsion Spring Tile is via 9Wood's Torsion Spring Bracket and Butterfly Clip.



4400 Data Sheet



SERIES: 4000 WOOD TILES

STYLE: 4400 TORSION SPRING TILE

Product Data

Application

The Torsion Spring Tile provides a floating tiled look with concealed suspension using real wood veneers on fire rated cores. This is an accessible system, with pull down, spring release accessibility. It can be engineered for seismic compliance. Tiles may be perforated (see series 5000 Perforated Wood Tiles).

Performance

Species & Finishes

Domestic and imported species are offered; clear, satin sheen finish is typical; custom stain matches available. Typical species include: Hemlock, Douglas Fir, Oak, Beech, White Maple and Cherry.

Fire Rating

Individual members and components can be treated with Class I (A) Fire Retardant chemicals (solid wood use FR coatings, veneered particleboard use FR formulas). Particular species or styles have not been tested.

Acoustics

The 4400 style is considered acoustically reflective.

System Weight

The 4400 Torsion Spring tile weighs 3 lbs / sq ft.

MEP

The 4400 tile permits MEP penetrations in the ceiling's surface. Cut panels may require supplemental reinforcement. Fixtures and diffusers must be independently supported.

Suspension

Wood Tiles are suspended using 15/16" heavy duty T-bar main runners 2' on-center (typ).

Seismic

Torsion Spring Tiles can be engineered to meet seismic requirements. Consult local code for any additional requirements or a licensed local engineer.

LEED

9Wood products may qualify toward MR-3, MR-4.1/4.2, MR-5.1/5.2, MR-6, MR-7, IEQ-4.2, IEQ-4.4. As all products are custom-fabricated, LEED credit opportunities are project by project. Please contact 9Wood, Inc. for specifics.

Acclimatization

Wood Tile products must be cared for in a controlled interior environment (RH 25%-50% max; temp. 50°-85°) and installed only after reaching equilibrium moisture content. Should the building fall outside these limits consult 9Wood, Inc. for our 3 Tests/3 Tracks Acclimatization Advisory.



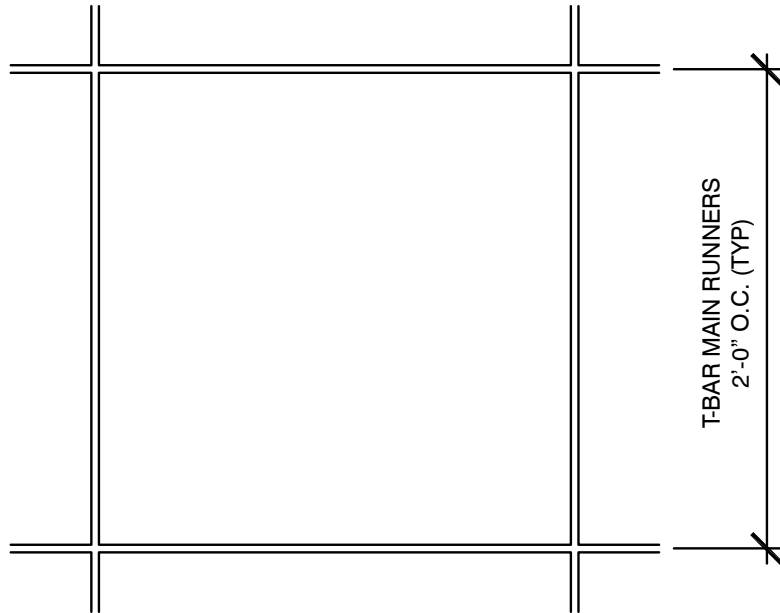
4400 Data Sheet



SERIES: 4000 WOOD TILES

STYLE: 4400 TORSION SPRING TILE

Typical Specifications



SKU Table

Tile Width	Tile Length (Parallel to Grain Direction)						
	24"	36"	48"	60"	72"	84"	96"
24"	4424-24	4424-36	4424-48	4424-60	4424-72	4424-84	4424-96
36"	4436-24	4436-36	4436-48	4436-60	4436-72	4436-84	4436-96
48"	4448-24	4448-36	4448-48	4448-60	4448-72	4448-84	4448-96

* Tiles greater than 36" are likely to require additional stiffener bars.

** Please see 9wood.com for information on appropriate species selections.



4400 Data Sheet

SERIES: 4000 WOOD TILES

STYLE: 4400 TORSION SPRING TILE

Perimeter Conditions and Suspension

