



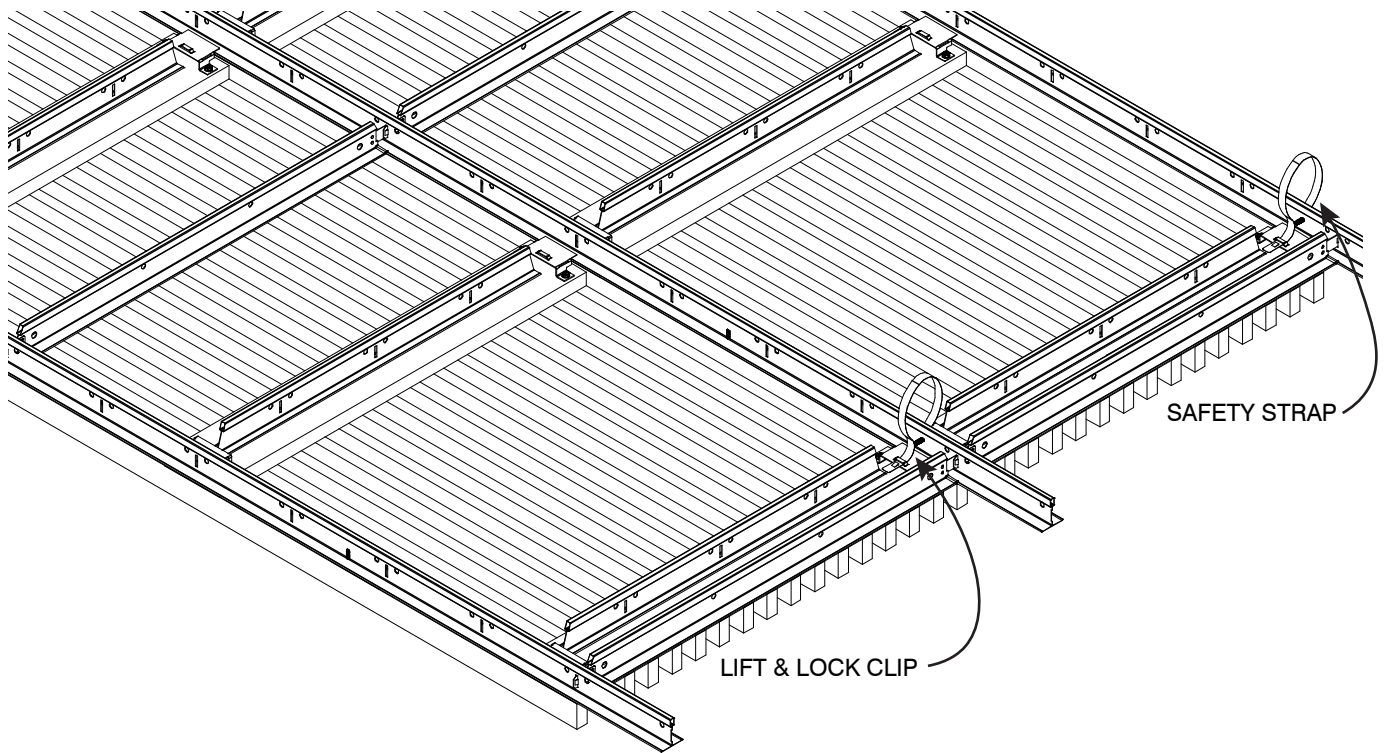
## 1300 Data Sheet



SERIES: 1000 WOOD GRILLES

STYLE: 1300 LAY-IN GRILLE

## Overview



The **9Wood Lay-In Grille** wood ceiling offers a design where the individual wood member is deeper than it is wide. The standard panel width is 2'. Standard panel lengths are 4' through 10' (nominal).

**Attachment** for the Lay-In Grille is via 9Wood's Lift & Lock system.



## 1300 Data Sheet



SERIES: 1000 WOOD GRILLES

STYLE: 1300 LAY-IN GRILLE

# Product Data

## Application

The Lay-in Grille uses a pre-assembled panel fabrication process. This product typically installs in non-seismic areas. In seismic zones it requires a safety-wire tie-off or lock-down screws. Panel access is by means of lift, shift, and remove.

## Performance

### Acclimatization

Lay-In Grilles must be cared for in a controlled interior environment (RH 25%-55% max; temp. 60°-80°) and installed only after reaching equilibrium moisture content. Should the building fall outside these limits consult 9Wood, Inc. for our 3 Tests/3 Tracks Acclimatization Advisory.

### Acoustics

The Lay-In Grille can enhance acoustics via sound absorbing material placed over open reveals within the T-Bar grid. Insulation is typically provided locally.

### Fire Rating

Individual members and components can be treated with Class I (A) Fire Retardant chemicals (solid wood use FR coatings, veneered particleboard use FR formulas). Particular species or styles have not been tested.

### LEED

Lay-In Grilles may qualify toward MR-3, MR-4.1/4.2, MR-5.1/5.2, MR-6, MR-7, IEQ-4.2 or IEQ-4.4. As all products are custom-fabricated, LEED credit opportunities are project by project. Please contact 9Wood, Inc. for specifics.

### MEP

The Lay-In Grille permits MEP penetrations in the ceiling's surface. Cut panels may require supplemental reinforcement. Fixtures and diffusers must be independently supported.

### Seismic

Lay-In Style Wood Grille panels lay into standard T-Grid. They may require safety wire tie-off or screw lock to T-Bar. Please consult local code or a licensed engineer for any additional requirements.

### Species & Finishes

9Wood can offer both domestic and imported species for the Lay-In Grille. Clear, matte sheen finish is standard; custom color matches and opaque finishes are available.

### Suspension

Lay-In Grilles lift and shift into 15/16" heavy duty T-Bar main runners. Main runners are installed 2' on center, depending on system weight.

### System Weight

Lay-In Grilles typically weigh 2-4 pounds per square foot, depending on members per linear foot and species.



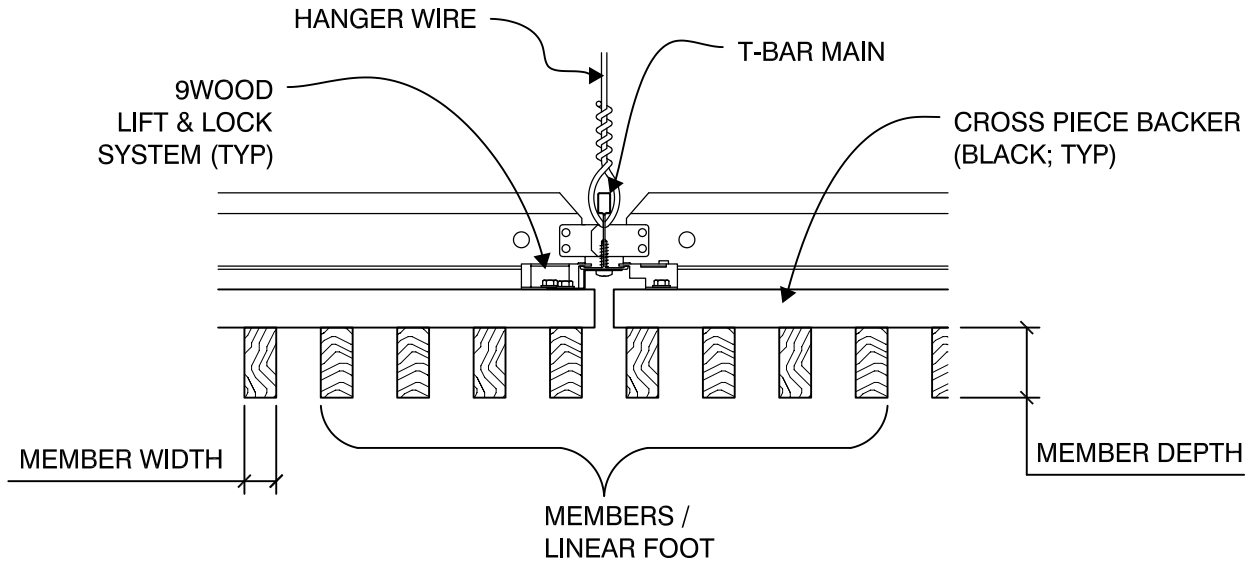
# 1300 Data Sheet



SERIES: 1000 WOOD GRILLES

STYLE: 1300 LAY-IN GRILLE

## Typical Specifications



SKU Table

Width (Solid)	Width (Veneer)	Depth	Grille Members per Linear Foot						
			2	3	4	5	6	7	8
5/8" or 3/4"	3/4" or 1"	1 3/8"	1312-2	1312-3	1312-4	1312-5	1312-6	1312-7	1312-8
5/8" or 3/4"	3/4" or 1"	2 1/4"	1313-2	1313-3	1313-4	1313-5	1313-6	1313-7	1313-8
5/8" or 3/4"	3/4" or 1"	3 1/4"	1314-2	1314-3	1314-4	1314-5	1314-6		
3/4"	3/4" or 1"	5 1/4"	1316-2	1316-3	1316-4	1316-5			
1 3/8"	1 7/16"	1 3/8"	1322-2	1322-3	1322-4	1322-5			
1 3/8"	1 7/16"	2 1/4"	1323-2	1323-3	1323-4				
1 3/8"	1 7/16"	3 1/4"	1324-2	1324-3	1324-4				
1 3/8"	1 7/16"	5 1/4"	1326-2	1326-3					

Additional width, depth, and M/LF options may be available. Please check with 9Wood if you don't see the combination that you have in mind.