



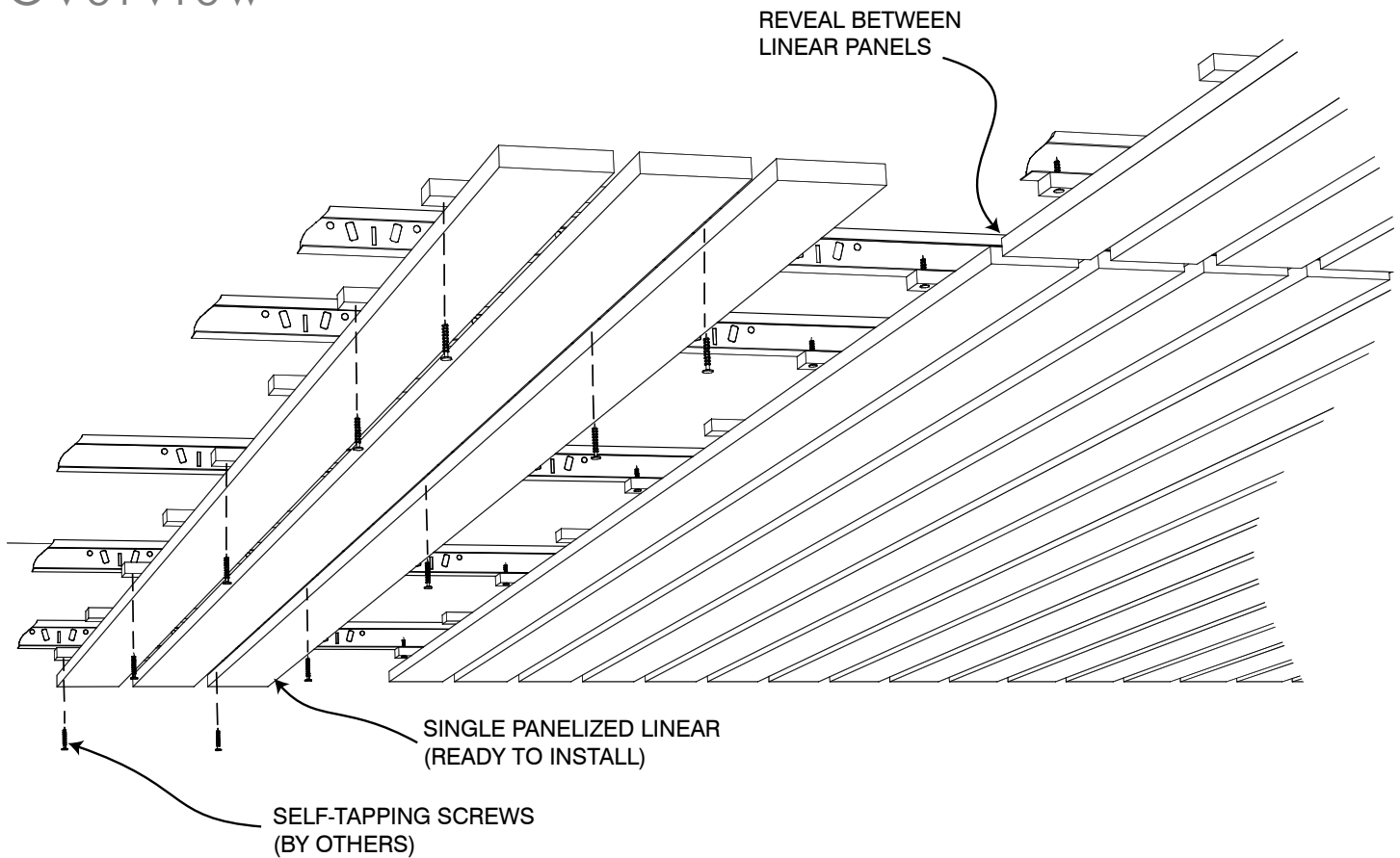
2100 Data Sheet



SERIES: 2000 LINEAR WOOD

STYLE: 2100 PANELIZED LINEAR

Overview



The **9Wood Panelized Linear** wood ceiling offers a design where the individual wood member is wider than it is deep. The standard panel width is 12". Standard panel lengths are 4' through 10' for solid wood, or 8' for veneers. Budget and application generally drive the decision between solid wood or veneer.

Attachment for the Panelized Linear is via screws fastened directly through the backer into standard T-Bar grid. This provides basic accessibility for each panel.



2100 Data Sheet



SERIES: 2000 LINEAR WOOD

STYLE: 2100 PANELIZED LINEAR

Product Data

Application

The Panelized Linear uses a pre-assembled panel fabrication process. This product can be installed throughout the country and is the preferred design in areas requiring seismic compliance. Full panel access is available by means of removing attachment screws hidden in reveals. Repetitive removal requires threaded 9Wood Caddy Lock attachment as opposed to screws.

Performance

Acclimatization

Panelized Linears must be cared for in a controlled interior environment (RH 25%-55% max; temp. 60°-80°) and installed only after reaching equilibrium moisture content. Should the building fall outside these limits consult 9Wood, Inc. for our 3 Tests/3 Tracks Acclimatization Advisory.

Acoustics

The Panelized Linear can enhance acoustics via sound absorbing material placed over open reveals within the T-Bar grid. Insulation is typically provided locally.

Fire Rating

Individual members and components can be treated with Class I (A) Fire Retardant chemicals (solid wood use FR coatings, veneered particleboard use FR formulas). Particular species or styles have not been tested.

LEED

Panelized Linears may qualify toward MR-3, MR-4.1/4.2, MR-5.1/5.2, MR-6, MR-7, IEQ-4.2 or IEQ-4.4. As all products are custom-fabricated, LEED credit opportunities are project by project. Please contact 9Wood, Inc. for specifics.

MEP

The Panelized Linear permits MEP penetrations in the ceiling's surface. Cut panels may require supplemental reinforcement. Fixtures and diffusers must be independently supported.

Seismic

Panelized Linear styles provide seismic code compliance by means of mechanical direct screw attachment to T-Bar grid via the cross-piece backer. Consult local code for any additional requirements or a licensed engineer.

Species & Finishes

9Wood can offer both domestic and imported species for the Panelized Linear. Clear, matte sheen finish is standard; custom color matches and opaque finishes are available.

Suspension

Panelized Linears are directly attached to 15/16" heavy duty T-Bar main runners. Main runners are installed 2' on center, depending on system weight.

System Weight

Panelized Linears typically weigh 2-4 pounds per square foot, depending on members per linear foot and species.



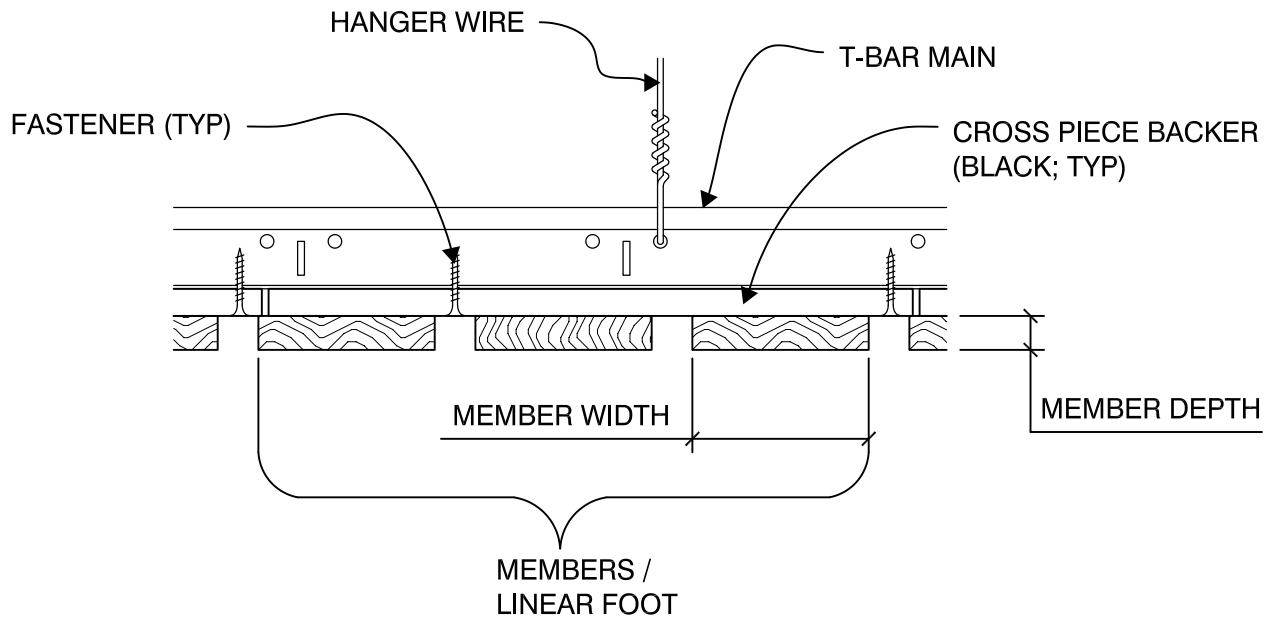
2100 Data Sheet



SERIES: 2000 LINEAR WOOD

STYLE: 2100 PANELIZED LINEAR

Typical Specifications



SKU Table

Depth (Softwood)	Depth (Hardwood or Veneer)	Width	Members per Linear Foot				
			2	3	4	5	6
5/8"	3/4"	1 3/8"	2112-2	2112-3	2112-4	2112-5	2112-6
5/8"	3/4"	2 1/4"	2113-2	2113-3	2113-4		
5/8"	3/4"	3 1/4"	2114-2	2114-3			
3/4"	3/4"	5 1/4"	2116-2				

Additional width, depth, and M/LF options may be available. Please check with 9Wood if you don't see the combination that you have in mind.



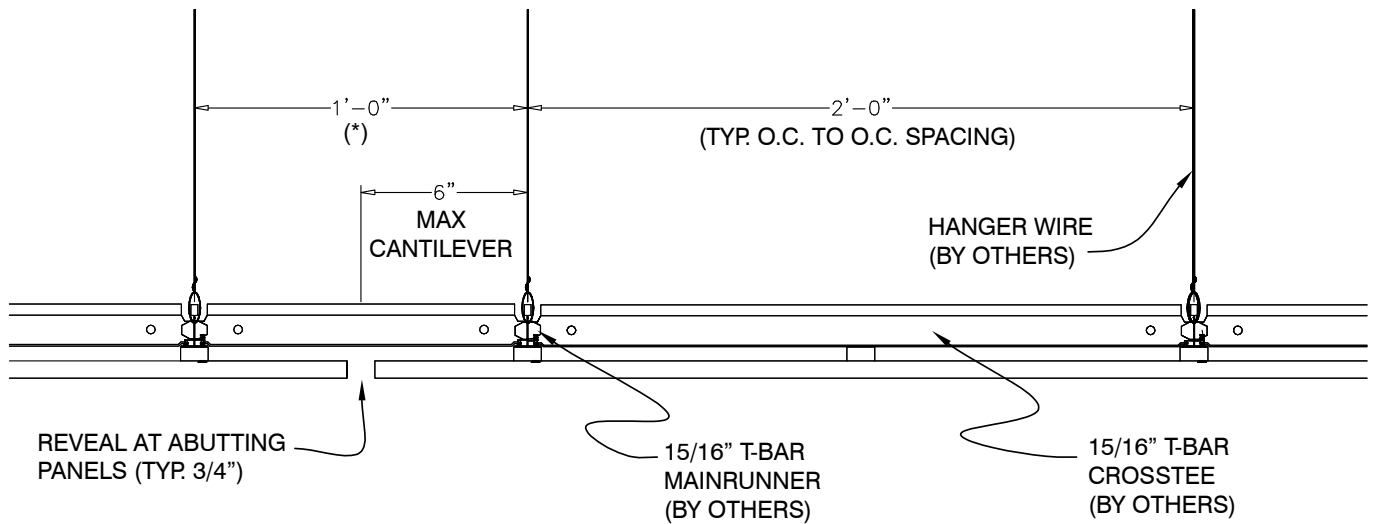
2100 Data Sheet



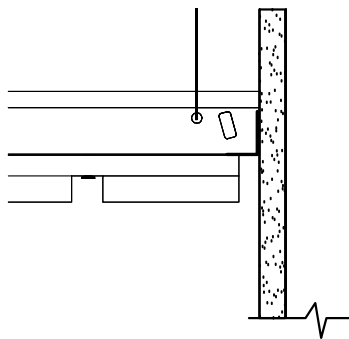
SERIES: 2000 LINEAR WOOD

STYLE: 2100 PANELIZED LINEAR

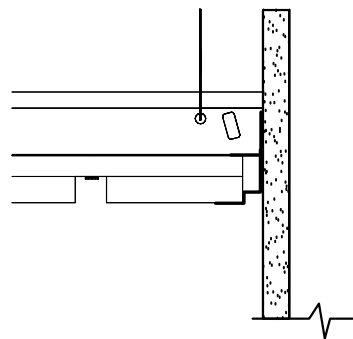
Perimeter Conditions and Suspension



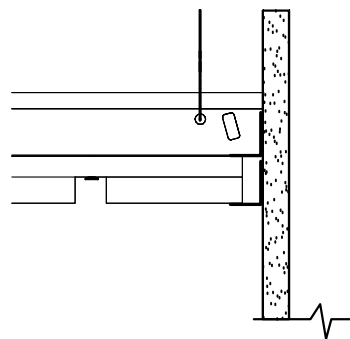
(*) NOTE: A CENTER REVEAL TYPICALLY REQUIRES A CUSTOM O.C. SPACING IN THE SUSPENSION SYSTEM



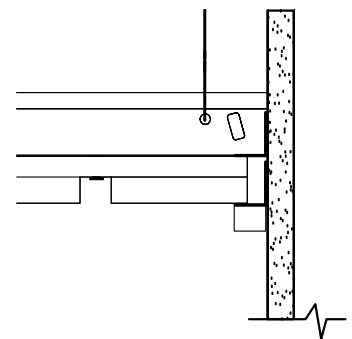
FLOATING:
OPEN REVEAL



METAL TRIM:
CONT. SHADOW STYLE
WALL ANGLE



METAL TRIM:
CONT. WALL ANGLE



WOOD TRIM:
CONT. WALL ANGLE
W/ WOOD TRIM