



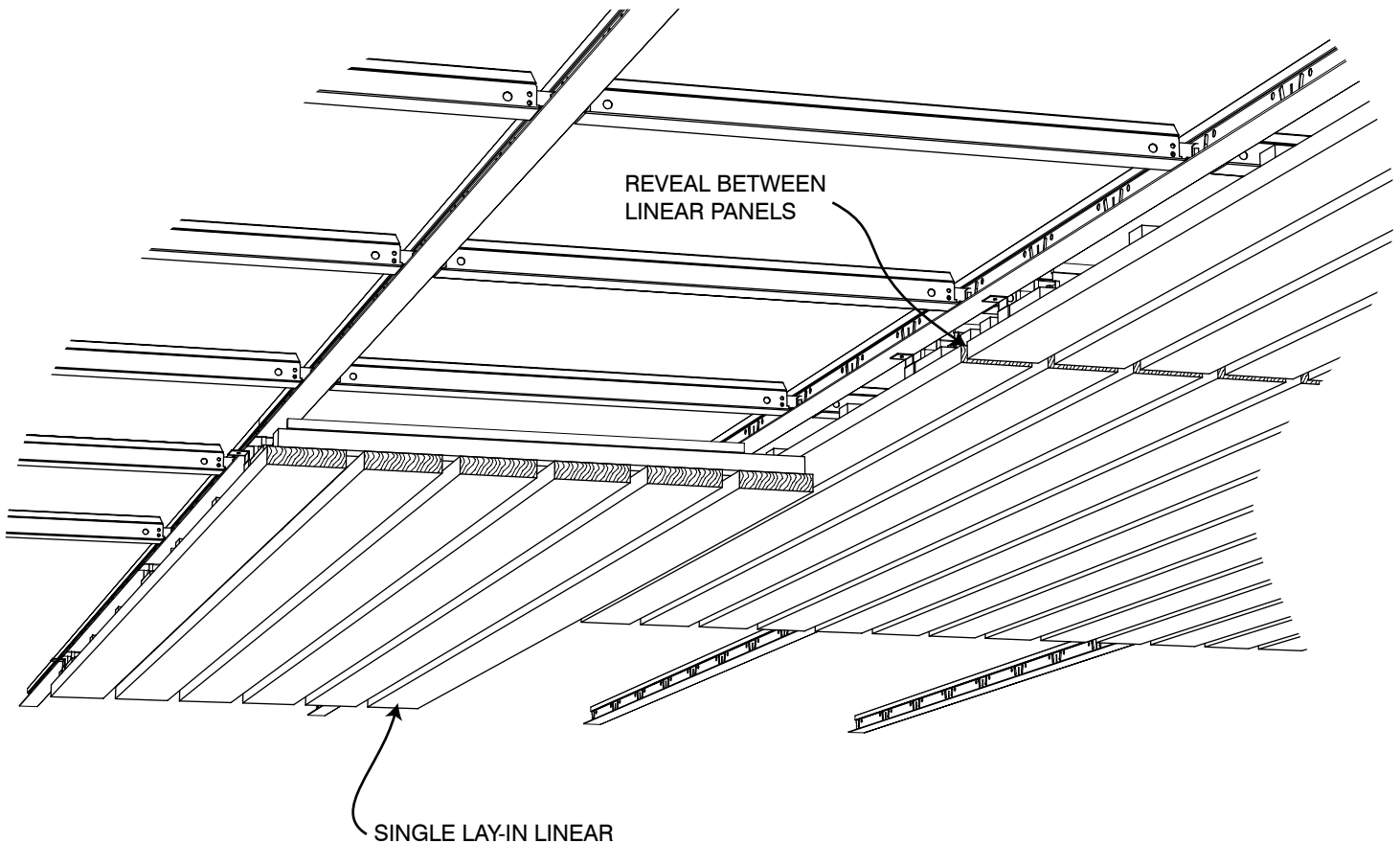
2200 Data Sheet



SERIES: 2000 LINEAR WOOD

STYLE: 2200 LAY-IN LINEAR

Overview



The **9Wood Lay-in Linear** style wood ceiling offers a design where the individual wood member is wider than it is deep. The standard panel width is 2'. Standard panel lengths are 4' through 10' for solid wood, or 8' for veneers. Budget and application generally drive the decision between solid wood or veneer. In non-seismic zones this suspension system allows for productive installation and easy lift-out accessibility.

Attachment for the Lay-In Linear is achieved with 9Wood's Lift & Lock system. This provides unlimited accessibility for each panel.



2200 Data Sheet



SERIES: 2000 LINEAR WOOD

STYLE: 2200 LAY-IN LINEAR

Product Data

Application

The Lay-in Linear uses a pre-assembled panel fabrication process. Full panel access is available by means of lay-in backers that permit lift-out accessibility: lift, shift, and remove. In seismic zones it requires a safety wire tie-off or lock-down screws.

Performance

Acclimatization

Lay-In Linears must be cared for in a controlled interior environment (RH 25%-55% max; temp. 60°-80°) and installed only after reaching equilibrium moisture content. Should the building fall outside these limits consult 9Wood, Inc. for our 3 Tests/3 Tracks Acclimatization Advisory.

Acoustics

The Lay-In Linear can enhance acoustics via sound absorbing material placed over open reveals within the T-Bar grid. Insulation is typically provided locally.

Fire Rating

Individual members and components can be treated with Class I (A) Fire Retardant chemicals (solid wood use FR coatings, veneered particleboard use FR formulas). Particular species or styles have not been tested.

LEED

Lay-In Linears may qualify toward MR-3, MR-4.1/4.2, MR-5.1/5.2, MR-6, MR-7, IEQ-4.2 or IEQ-4.4. As all products are custom-fabricated, LEED credit opportunities are project by project. Please contact 9Wood, Inc. for specifics.

MEP

The Lay-In Linear permits MEP penetrations in the ceiling's surface. Cut panels may require supplemental reinforcement. Fixtures and diffusers must be independently supported.

Seismic

Lay-In Linears typically require safety-wire tie-offs or a lock-down screw. Please consult local code or a licensed engineer for any additional requirements.

Species & Finishes

9Wood can offer both domestic and imported species for the Lay-In Linear. Clear, matte sheen finish is standard; custom color matches and opaque finishes are available.

Suspension

Lay-In Linears lift and shift into 15/16" heavy duty T-Bar main runners. Main runners are installed 2' on center, depending on panel weight.

System Weight

Lay-In Linears typically weigh 2-4 pounds per square foot, depending on members per linear foot and species.

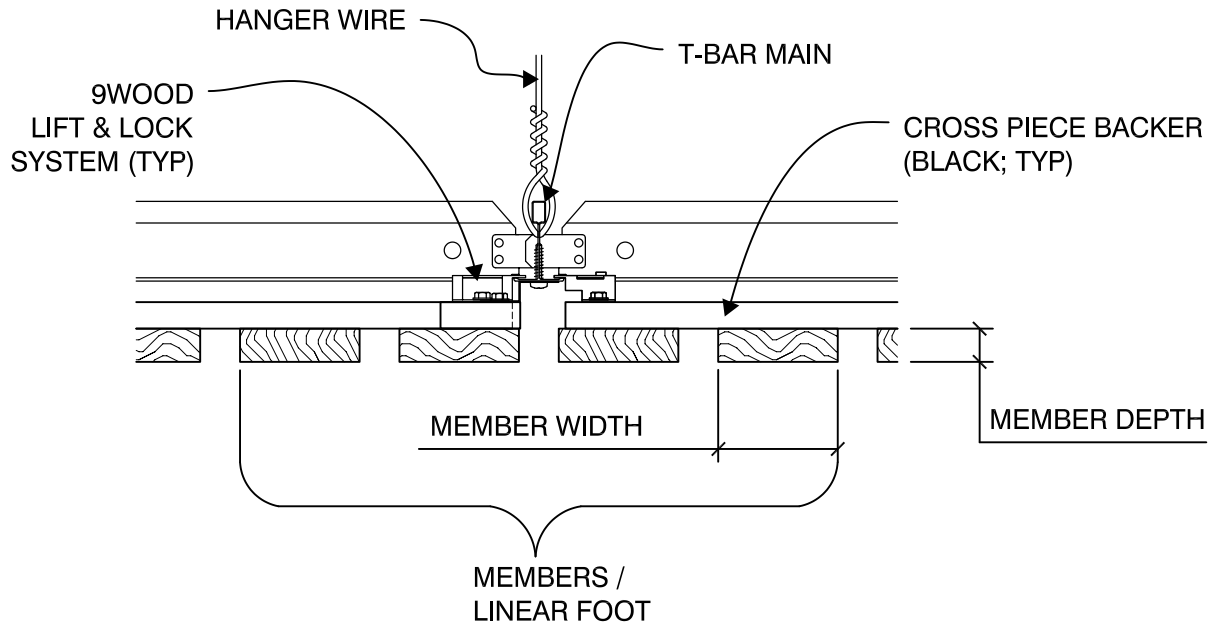


2200 Data Sheet

SERIES: 2000 LINEAR WOOD

STYLE: 2200 LAY-IN LINEAR

Typical Specifications



SKU Table

Depth (Softwood)	Depth (Hardwood or Veneer)	Width	Members per Linear Foot				
			2	3	4	5	6
5/8"	3/4"	1 3/8"	2212-2	2212-3	2212-4	2212-5	2212-6
5/8"	3/4"	2 1/4"	2213-2	2213-3	2213-4		
5/8"	3/4"	3 1/4"	2214-2	2214-3			
3/4"	3/4"	5 1/4"	2216-2				

Additional width, depth, and M/LF options may be available. Please check with 9Wood if you don't see the combination that you have in mind.



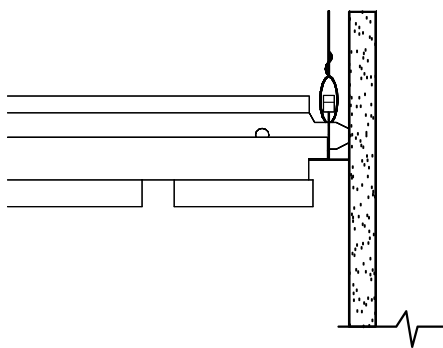
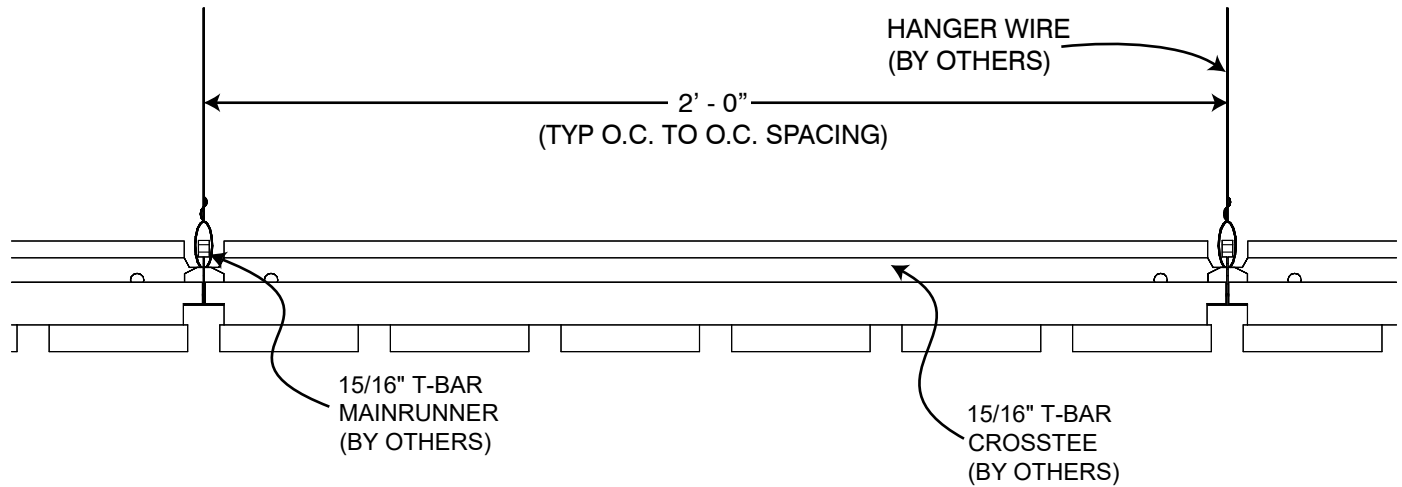
2200 Data Sheet



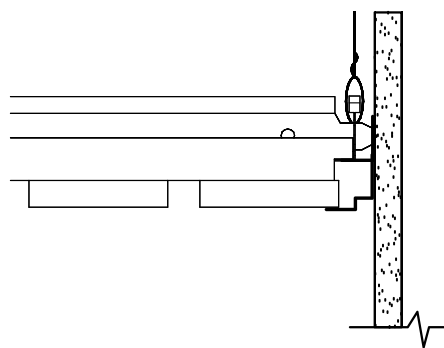
SERIES: 2000 LINEAR WOOD

STYLE: 2200 LAY-IN LINEAR

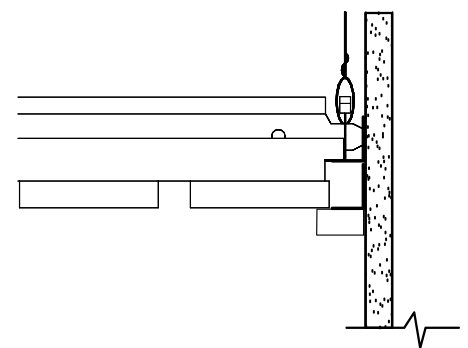
Perimeter Conditions and Suspension



FLOATING:
OPEN REVEAL



METAL TRIM:
CONT. SHADOW STYLE
WALL ANGLE



WOOD TRIM:
CONT. WALL ANGLE
W/ WOOD TRIM