



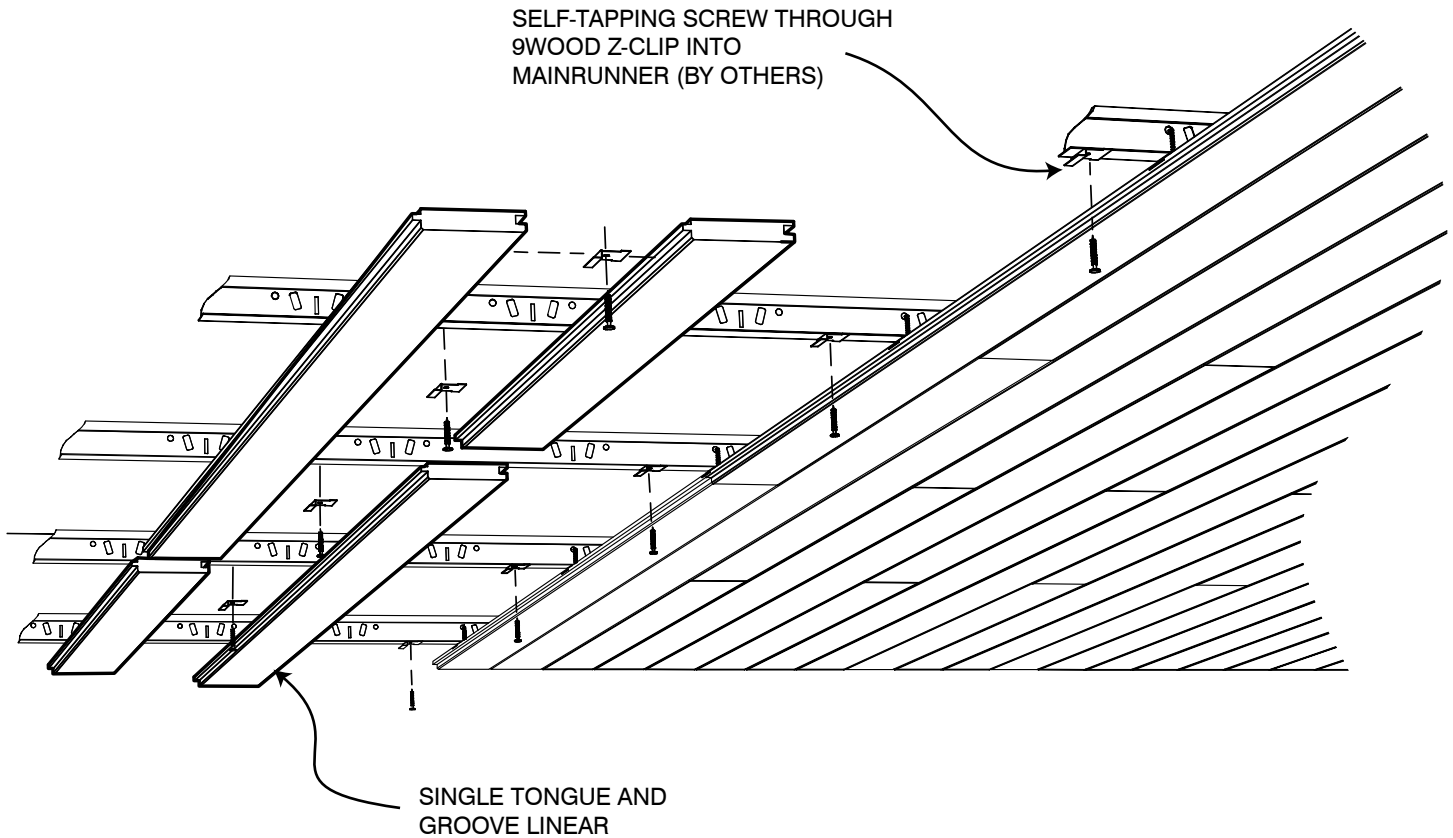
## 2400 Data Sheet



SERIES: 2000 LINEAR WOOD

STYLE: 2400 TONGUE AND GROOVE LINEAR

### Overview



The **9Wood Tongue and Groove Linear** wood ceiling offers the classic linear ceiling design where the individual wood members abut with a “V” groove accenting the edge-to-edge joint. Members are installed randomly to create a continuous look. The Tongue and Groove linear system is provided in random lengths to maximize material yield.

**Attachment** for the Tongue and Groove Linear is via progressive install, utilizing the 9Wood Z-Clip.





## 2400 Data Sheet



SERIES: 2000 LINEAR WOOD

STYLE: 2400 TONGUE AND GROOVE LINEAR

# Product Data

## Application

The Tongue and Groove Linear provides the classic “V” Groove closed reveal look and creates a continuous, monolithic ceiling field. Access can be through strategically located access panels or from ceiling perimeters. Members are clipped to T-Bar main runners progressively.

## Performance

### Acclimatization

T&G Linears must be cared for in a controlled interior environment (RH 25%-55% max; temp. 60°-80°) and installed only after reaching equilibrium moisture content. Should the building fall outside these limits consult 9Wood for our 3 Tests/3 Tracks Acclimatization Advisory.

### Acoustics

The T&G Linear is considered acoustically reflective.

### Fire Rating

Individual members and components can be treated with Class I (A) Fire Retardant chemicals (solid wood use FR coatings). Particular species or styles have not been tested.

### LEED

T&G Linears may qualify toward MR-3, MR-4.1/4.2, MR-5.1/5.2, MR-6, MR-7, IEQ-4.2 or IEQ-4.4. As all products are custom-fabricated, LEED credit opportunities are project by project. Please contact 9Wood for specifics.

### MEP

The T&G Linear permits MEP penetrations in the ceiling’s surface. Supplemental suspension may be required at penetrations. Fixtures and diffusers must be independently supported.

### Seismic

Clips are typically mechanically screwed to T-Bar for seismic compliance. Please consult local code or a licensed engineer for any additional requirements.

### Species & Finishes

9Wood can offer both domestic and imported species for the T&G Linear. Clear, matte sheen finish is standard; custom color matches and opaque finishes are available.

### Suspension

T&G Linears are attached to 15/16” heavy duty T-Bar main runners via clips and screws. Main runners are installed 2’ on center, depending on system weight.

### System Weight

T&G Linears typically weigh 2-4 pounds per square foot, depending on members per linear foot and species.



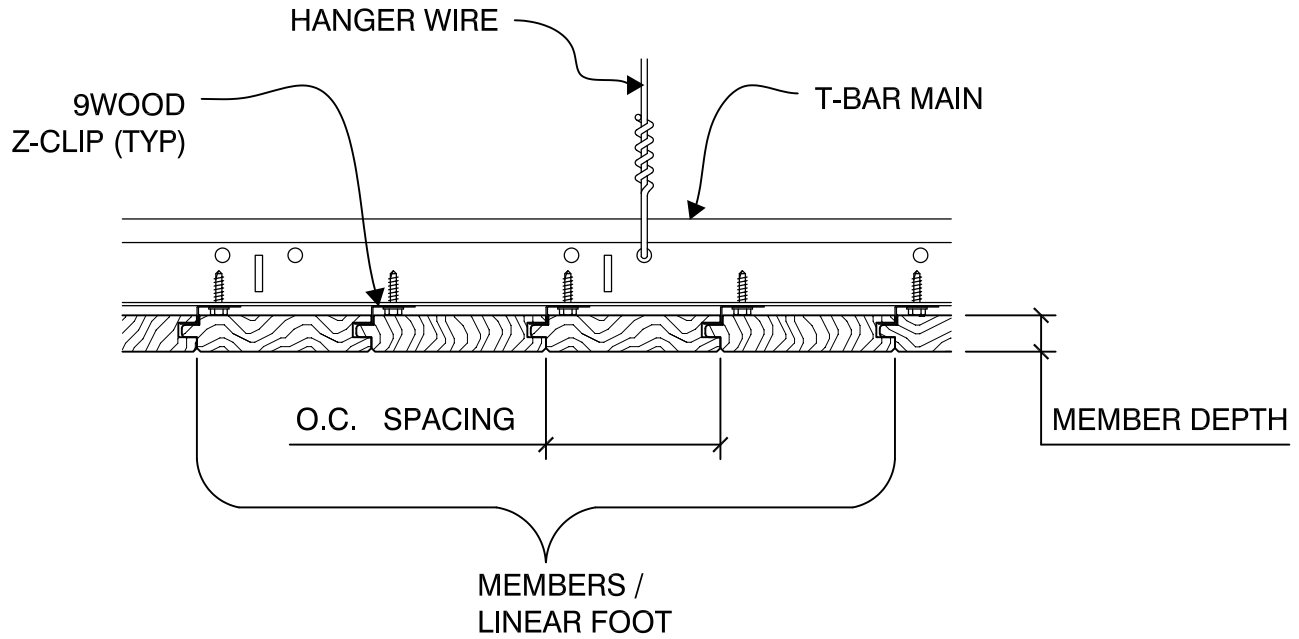
# 2400 Data Sheet



SERIES: 2000 LINEAR WOOD

STYLE: 2400 TONGUE AND GROOVE LINEAR

## Typical Specifications



### SKU Table

Depth (Softwood)	Depth (Hardwood)	O.C. Spacing	Members per Linear Foot				
			2	3	4	5	6
5/8"	3/4"	3"	2414-4				
3/4"	3/4"	5"	2416-2				

*Additional width, depth, and MLF options may be available. Please check with 9Wood if you don't see the combination that you have in mind.*



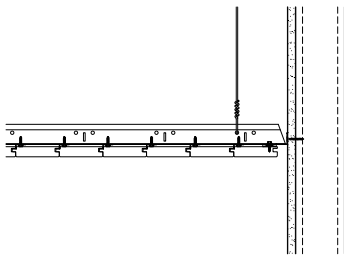
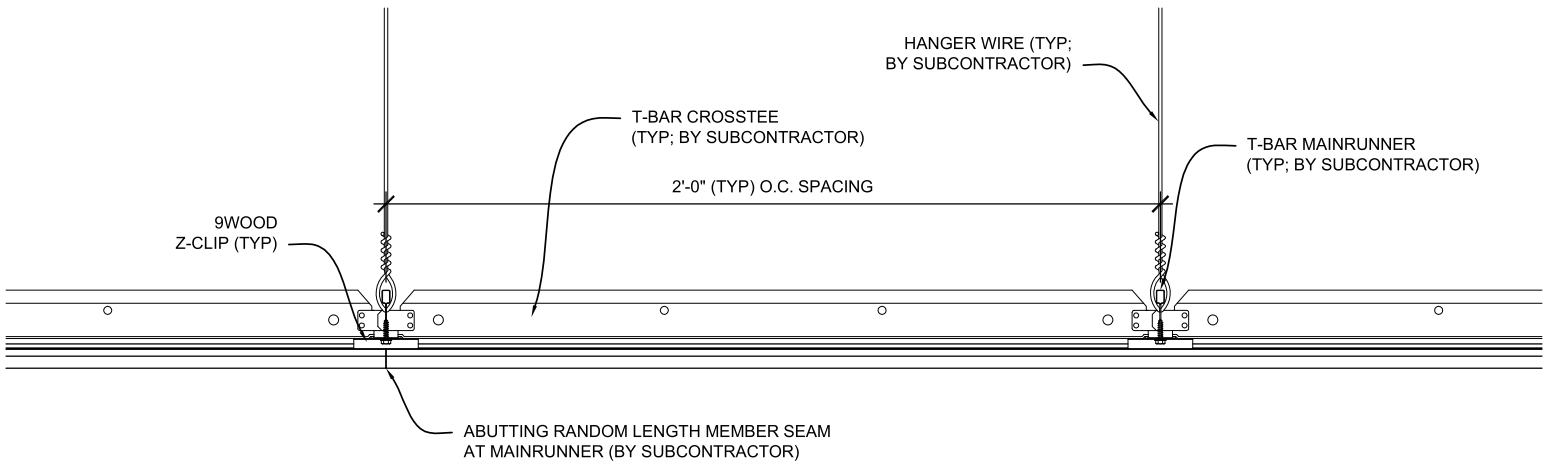
# 2400 Data Sheet



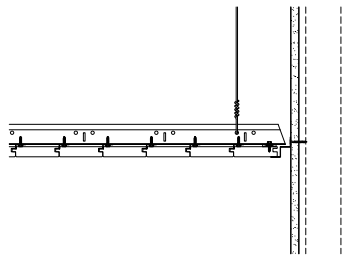
SERIES: 2000 LINEAR WOOD

STYLE: 2400 TONGUE AND GROOVE LINEAR

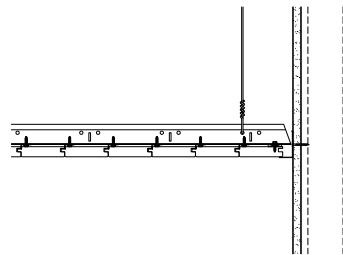
## Perimeter Conditions and Suspension



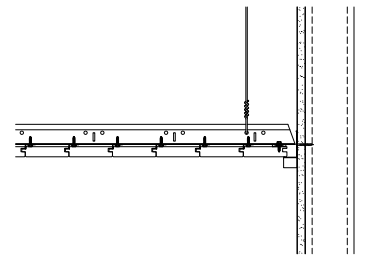
FLOATING OPEN REVEAL



METAL TRIM  
SHADOW STYLE WALL ANGLE



METAL TRIM WALL ANGLE



WALL ANGLE w/ WOOD TRIM