



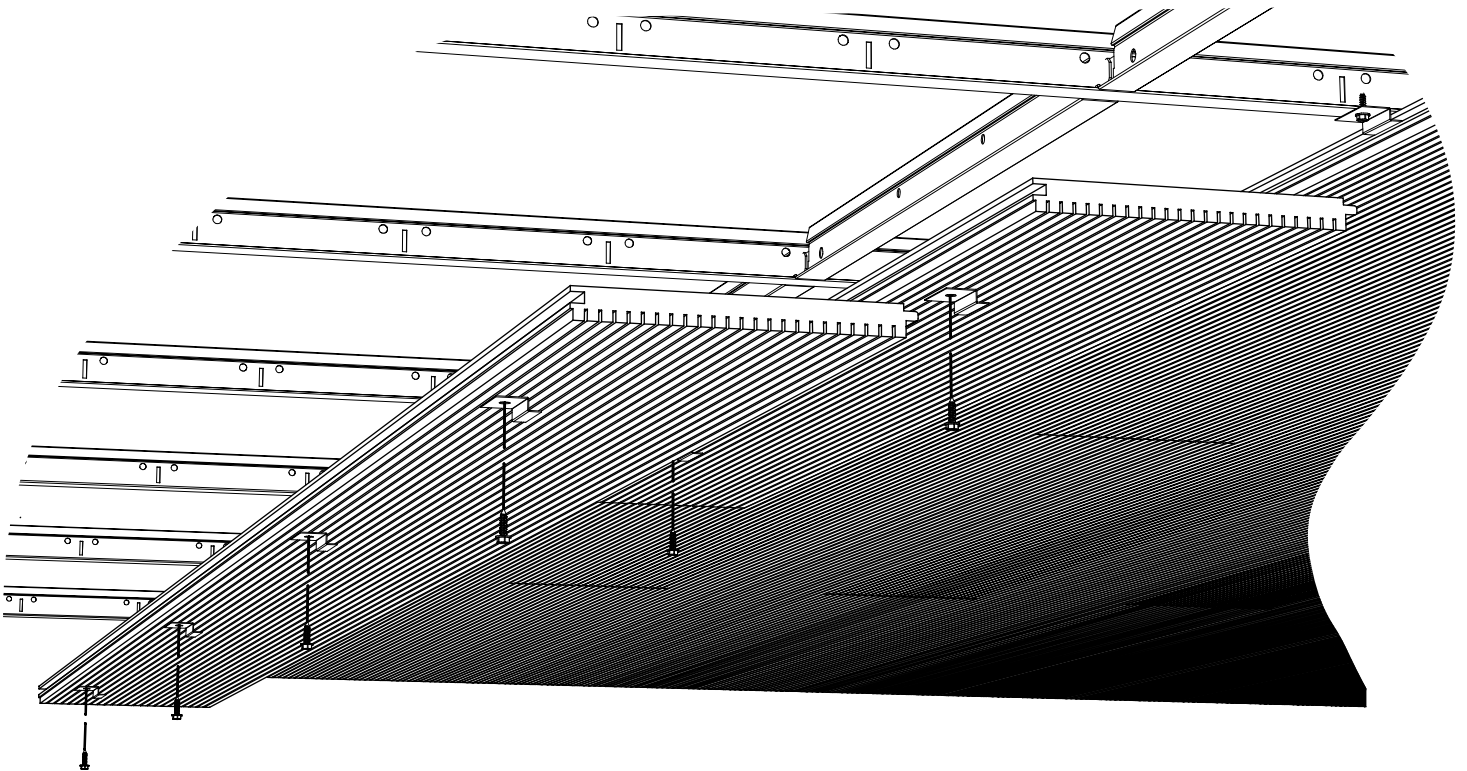
3100 Data Sheet



SERIES: 3000 ACOUSTIC WOOD

STYLE: 3100 ACOUSTIC PLANK

Overview



The **3100 Acoustic Plank** wood ceiling offers a design with fine linear grooves. Typical planks are 192 mm (7 9/16") wide, with 1/16" wide grooves spaced 8mm (5/16") or 16mm (5/8") on center. Due to required fabrication tolerances, only engineered veneered wood composites are used. Member lengths are 8' to maximize yield of veneered sheet goods.

Attachment for the Acoustic Plank is via progressive install, utilizing the 9Wood Z-Clip. End joint alignment is achieved via 9Wood Grip Clips and 9Wood Alignment Clips.



3100 Data Sheet



SERIES: 3000 ACOUSTIC WOOD

STYLE: 3100 ACOUSTIC PLANK

Product Data

Application

The Acoustic Plank provides a continuous, monolithic fine linear groove appearance while providing superior acoustic attenuation. Access can be through strategically located access panels or from ceiling perimeters. Planks are fabricated from real wood veneers on fire rated cores. Members are ganged together with tongue & groove joinery and screwed with clips to T-Bar main runners progressively.

Performance

Acclimatization

Acoustic Planks must be cared for in a controlled interior environment (RH 25%-55% max; temp. 60°-80°) and installed only after reaching equilibrium moisture content. Should the building fall outside these limits consult 9Wood for our 3 Tests/3 Tracks Acclimatization Advisory.

Acoustics

The Acoustic Plank enhances acoustics with Sound-Tex™ acoustic scrim, factory-attached to the back side. For added sound attenuation, extra fiber-glass absorptive material can be placed within the T-Bar grid. Insulation is typically provided locally.

Fire Rating

Individual members and components can be treated with Class I (A) Fire Retardant chemicals (veneered particleboard use FR formulas). Particular species or styles have not been tested.

LEED

Acoustic Planks may qualify toward MR-3, MR-4.1/4.2, MR-5.1/5.2, MR-6, MR-7, IEQ-4.2 or IEQ-4.4. As all products are custom-fabricated, LEED credit opportunities are project by project. Please contact 9Wood for specifics.

MEP

The Acoustic Plank permits MEP penetrations in the ceiling surface. Supplemental suspension may be required at penetrations. Fixtures and diffusers must be independently supported.

Seismic

Clips are typically mechanically screwed to T-Bar for seismic compliance. Please consult local code or a licensed engineer for any additional requirements.

Species & Finishes

9Wood can offer both domestic and imported species for the Acoustic Plank. Clear, matte sheen finish is standard; custom color matches and opaque finishes are available.

Suspension

Acoustic Planks are directly attached to 15/16" heavy duty T-Bar main runners. Main runners are installed 2' on center, depending on system weight.

System Weight

Acoustic Planks typically weigh 3 pounds per square foot or less.



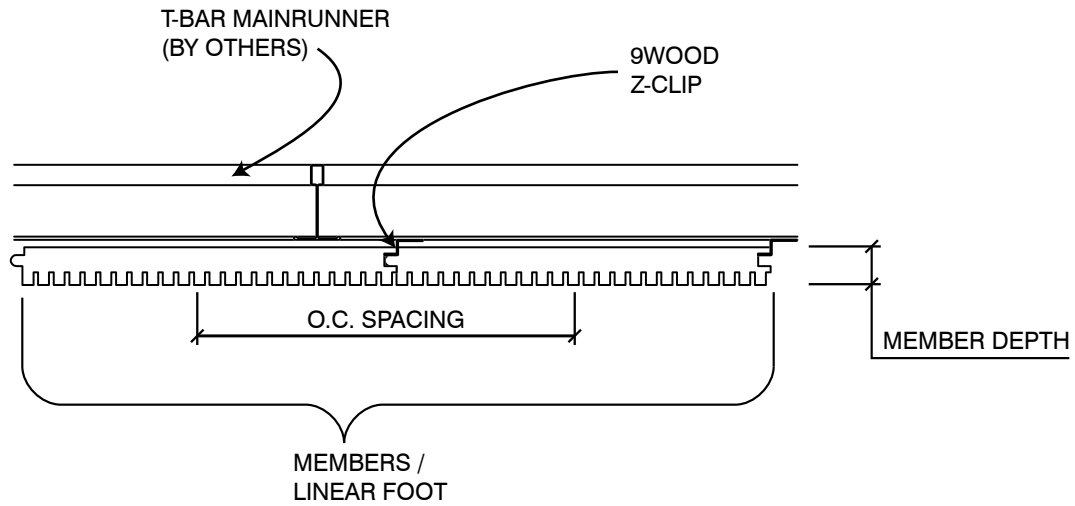
3100 Data Sheet



SERIES: 3000 ACOUSTIC WOOD

STYLE: 3100 ACOUSTIC PLANK

Typical Specifications



SKU Table

Kerf O.C. Spacing	Kerf Width	
	1.6mm	2.5mm
8mm	3108-2	3108-3
16mm	3116-2	3116-3
32mm	3132-2	3132-3

Additional width, depth, and M/LF options may be available. Please check with 9Wood if you don't see the combination that you have in mind.



3100 Data Sheet



SERIES: 3000 ACOUSTIC WOOD

STYLE: 3100 ACOUSTIC PLANK

Perimeter Conditions and Suspension

