

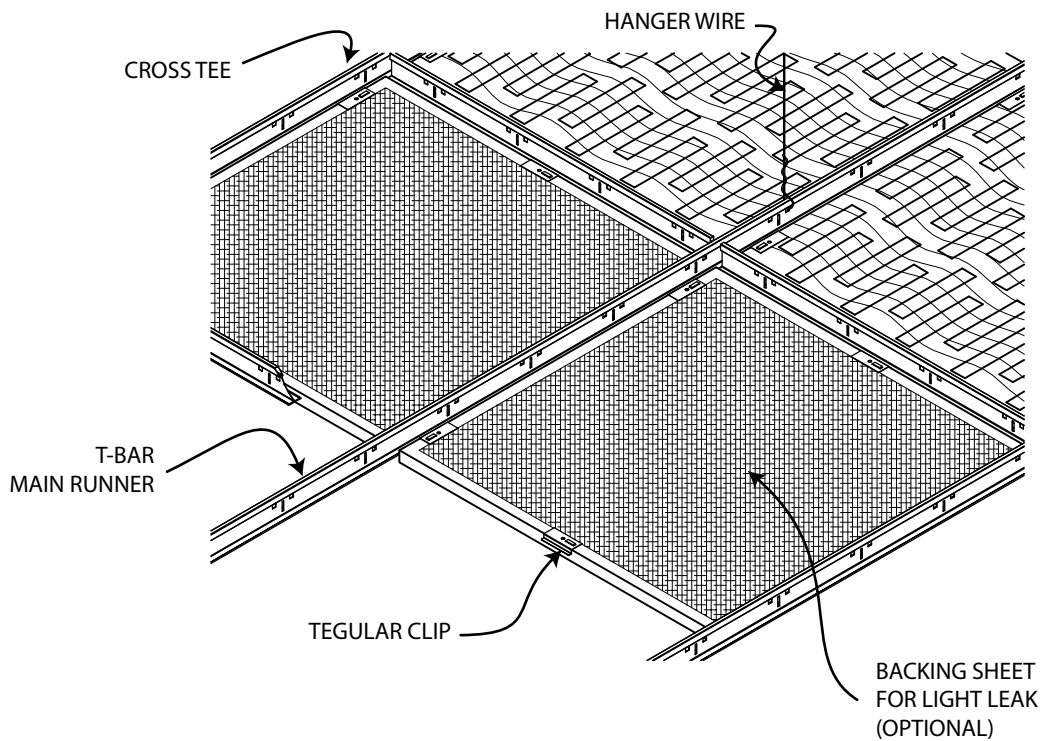
## 3200 Data Sheet



SERIES: 3000 ACOUSTIC WOOD

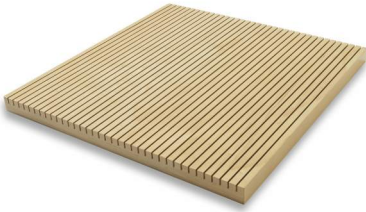
STYLE: 3200 ACOUSTIC TILE

## Overview



The **3200 Acoustic Tile** wood ceiling offers a design with tiles consisting of fine linear grooves assembled from acoustic planks. Typical Acoustic Tiles are 24" x 24", 24" x 48" and 48" x 48". Grooves are 1/16" wide, spaced 8mm (5/16"), 16mm (5/8"), or 32mm (1 1/4") on center. Due to required fabrication tolerances for Acoustic Tile, engineered veneered wood composites must be used.

**Attachment** for the Acoustic Tile is via a Tegular Edge, Lift & Lock™ clips, Torsion Springs, or XL Channel. See the 4000 series tiles for more information.



## 3200 Data Sheet



SERIES: 3000 ACOUSTIC WOOD

STYLE: 3200 ACOUSTIC TILE

# Product Data

## Application

The Acoustic Tile uses linear grooved real wood veneers on fire rated cores while providing superior acoustic attenuation. Solid edge banding often surrounds the grooved tile. Access and seismic compliance is a product of the suspension method selected (see series 4000 Wood Tiles).

## Performance

### Acclimatization

Acoustic Tiles must be cared for in a controlled interior environment (RH 25%-55% max; temp. 60°-80°) and installed only after reaching equilibrium moisture content. Should the building fall outside these limits consult 9Wood for our 3 Tests/3 Tracks Acclimatization Advisory.

### Acoustics

The Acoustic Tile enhances acoustics with Sound-Tex™ acoustic scrim, factory-attached to the back side (optional). For added sound attenuation, extra fiberglass absorptive material can be placed within the T-Bar grid. Insulation is typically provided locally.

### Fire Rating

Individual members and components can be treated with Class I (A) Fire Retardant chemicals (veneered particleboard use FR formulas). Particular species or styles have not been tested.

### LEED

Acoustic Tiles may qualify toward MR-3, MR-4.1/4.2, MR-5.1/5.2, MR-6, MR-7, IEQ-4.2 or IEQ-4.4. As all products are custom-fabricated, LEED credit opportunities are project by project. Please contact 9Wood for specifics.

### MEP

The Acoustic Tile permits MEP penetrations in the ceiling surface. Cut tiles may require supplemental reinforcement. Fixtures and diffusers must be independently supported.

### Seismic

Acoustic Tiles utilize different suspension methods, typically using T-Bar. They may require safety wire tie-offs or screw locks to T-Bar. Please consult local code or a licensed engineer for any additional requirements.

### Species & Finishes

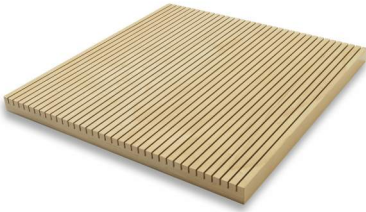
9Wood can offer both domestic and imported species for the Acoustic Tile. Clear, matte sheen finish is standard; custom color matches and opaque finishes are available.

### Suspension

Acoustic Tiles are suspended from 15/16" heavy duty T-Bar main runners. Main runners are installed 2' on center, depending on system weight.

### System Weight

Acoustic Tiles typically weigh 3 pounds per square foot or less.



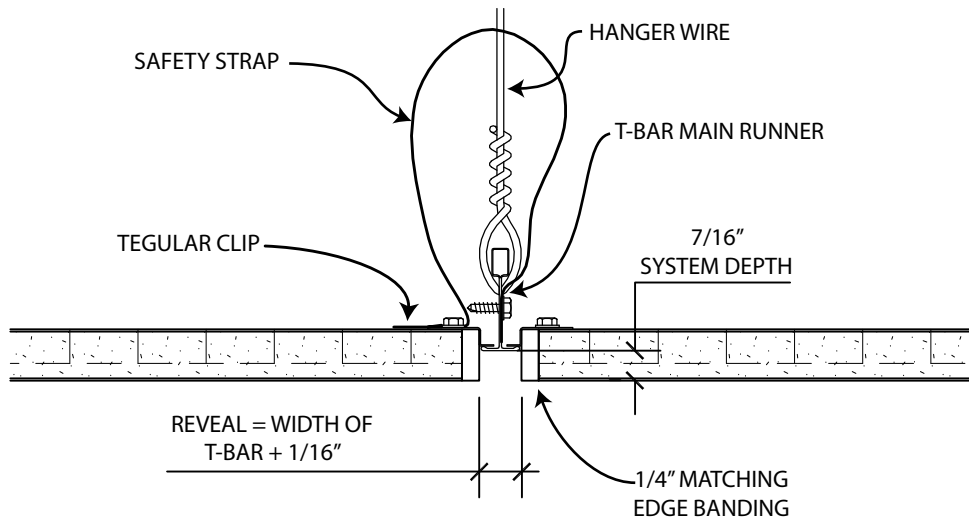
# 3200 Data Sheet



SERIES: 3000 ACOUSTIC WOOD

STYLE: 3200 ACOUSTIC TILE

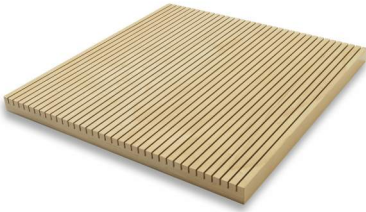
## Typical Specifications



### SKU Table

Kerf Spacing	Kerf Width	
	1.6mm	2.5mm
8mm	3208-2	3208-3
16mm	3216-2	3216-3
32mm	3232-2	3232-3

*Additional width, depth, and M/LF options may be available. Please check with 9Wood if you don't see the combination that you have in mind.*



# 3200 Data Sheet



SERIES: 3000 ACOUSTIC WOOD

STYLE: 3200 ACOUSTIC TILE

## Suspension

