



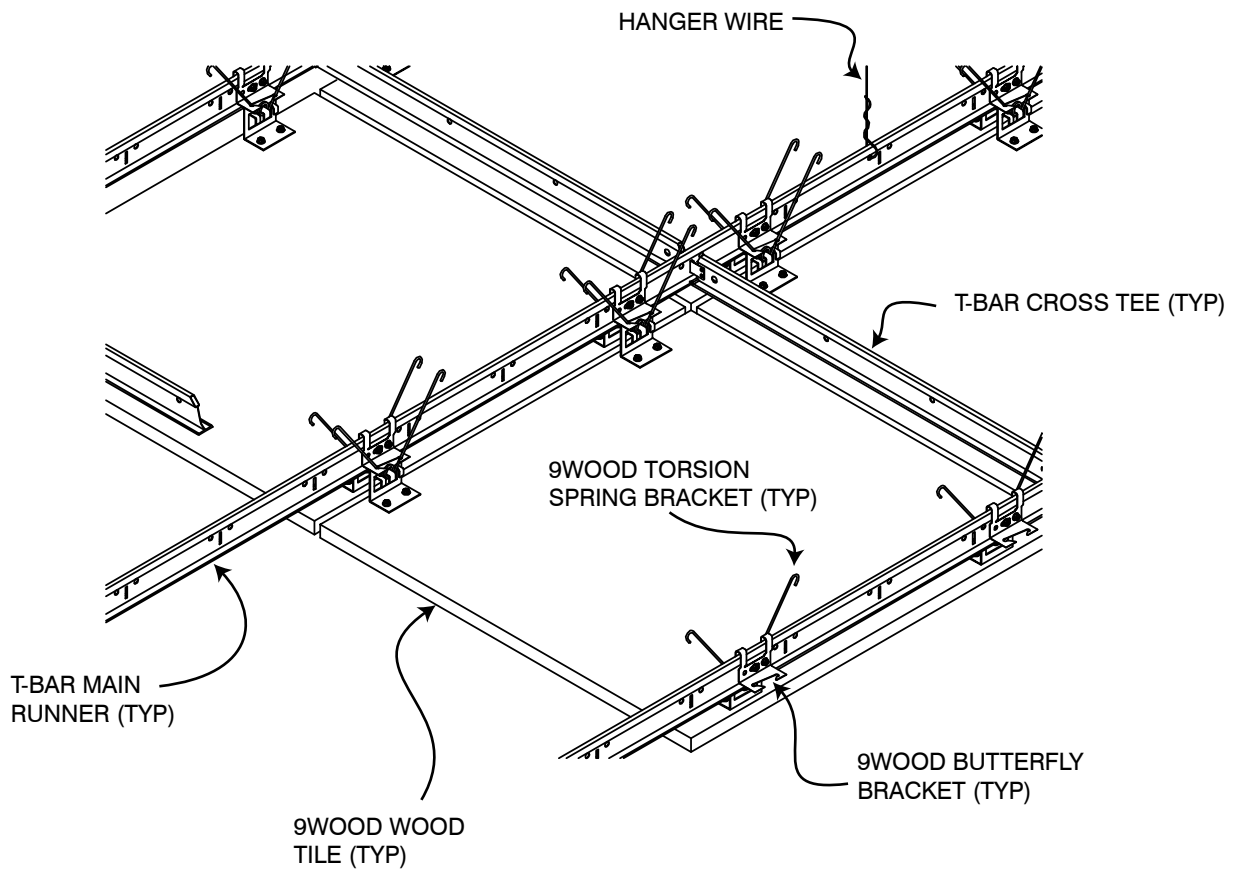
4400 Data Sheet



SERIES: 4000 WOOD TILES

STYLE: 4400 TORSION SPRING TILE

Overview



The **4400 Torsion Spring Tile** wood ceiling offers a floating tiled appearance with downward access. The 4400 style snaps up into butterfly-notched T-Bar brackets. The reveal between panels are 3/8" wide.

Attachment for the Torsion Spring Tile is via 9Wood's Torsion Spring Bracket and Butterfly Clip.



4400 Data Sheet



SERIES: 4000 WOOD TILES

STYLE: 4400 TORSION SPRING TILE

Product Data

Application

The Torsion Spring Tile provides a floating tiled look with concealed suspension using real wood veneers on fire rated cores. This is an accessible system, with pull down, spring release accessibility. It can be engineered for seismic compliance. Tiles may be perforated (see series 5000 Perforated Wood Tiles).

Performance

Acclimatization

Wood Tile products must be cared for in a controlled interior environment (RH 25%-50% max; temp. 50°-85°) and installed only after reaching equilibrium moisture content. Should the building fall outside these limits consult 9Wood for our 3 Tests/3 Tracks Acclimatization Advisory.

Acoustics

The 4400 style is considered acoustically reflective unless perforated.

Fire Rating

Individual members and components can be treated with Class I (A) Fire Retardant chemicals (veneered particleboard use FR formulas). Particular species or styles have not been tested.

LEED

9Wood products may qualify toward MR-3, MR-4.1/4.2, MR-5.1/5.2, MR-6, MR-7, IEQ-4.2, IEQ-4.4. As all products are custom-fabricated, LEED credit opportunities are project by project. Please contact 9Wood for specifics.

MEP

The 4400 tile permits MEP penetrations in the ceiling's surface. Supplemental suspension may be required at penetrations. Fixtures and diffusers must be independently supported.

Seismic

Torsion Spring Tiles can be engineered to meet seismic requirements. Consult local code for any additional requirements or a licensed local engineer.

Species & Finishes

Domestic and imported species are offered; clear, matte sheen finish is typical; custom color matches and opaque finishes available.

Suspension

Wood Tiles are suspended using 15/16" heavy duty T-bar main runners. Main runners are installed 2' on center, depending on tile weight.

System Weight

The 4400 Torsion Spring tile typically weighs 3 pounds per square foot.



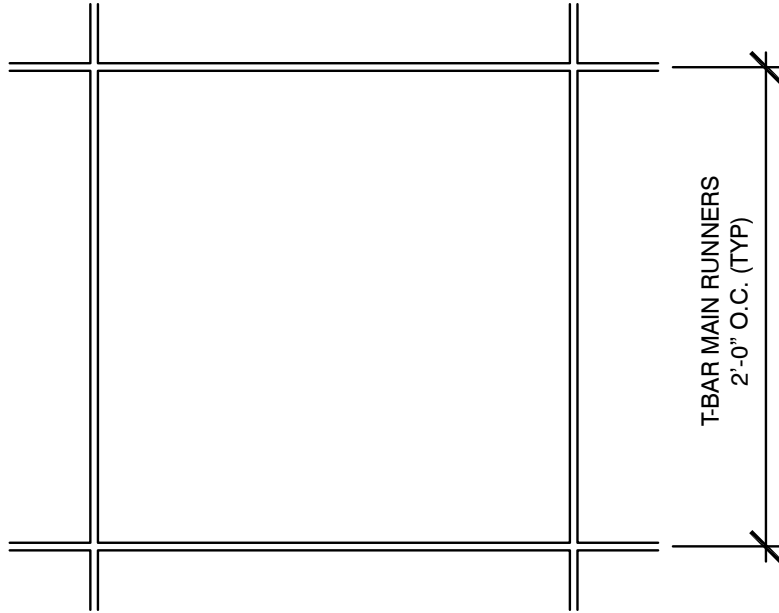
4400 Data Sheet



SERIES: 4000 WOOD TILES

STYLE: 4400 TORSION SPRING TILE

Typical Specifications



SKU Table

Tile Width	Tile Length (Parallel to Grain Direction)						
	24"	36"	48"	60"	72"	84"	96"
24"	4424-24	4424-36	4424-48	4424-60	4424-72	4424-84	4424-96
36"	4436-24	4436-36	4436-48	4436-60	4436-72	4436-84	4436-96
48"	4448-24	4448-36	4448-48	4448-60	4448-72	4448-84	4448-96

Additional width, depth, and M/LF options may be available. Please check with 9Wood if you don't see the combination that you have in mind.



4400 Data Sheet



SERIES: 4000 WOOD TILES

STYLE: 4400 TORSION SPRING TILE

Perimeter Conditions and Suspension

