

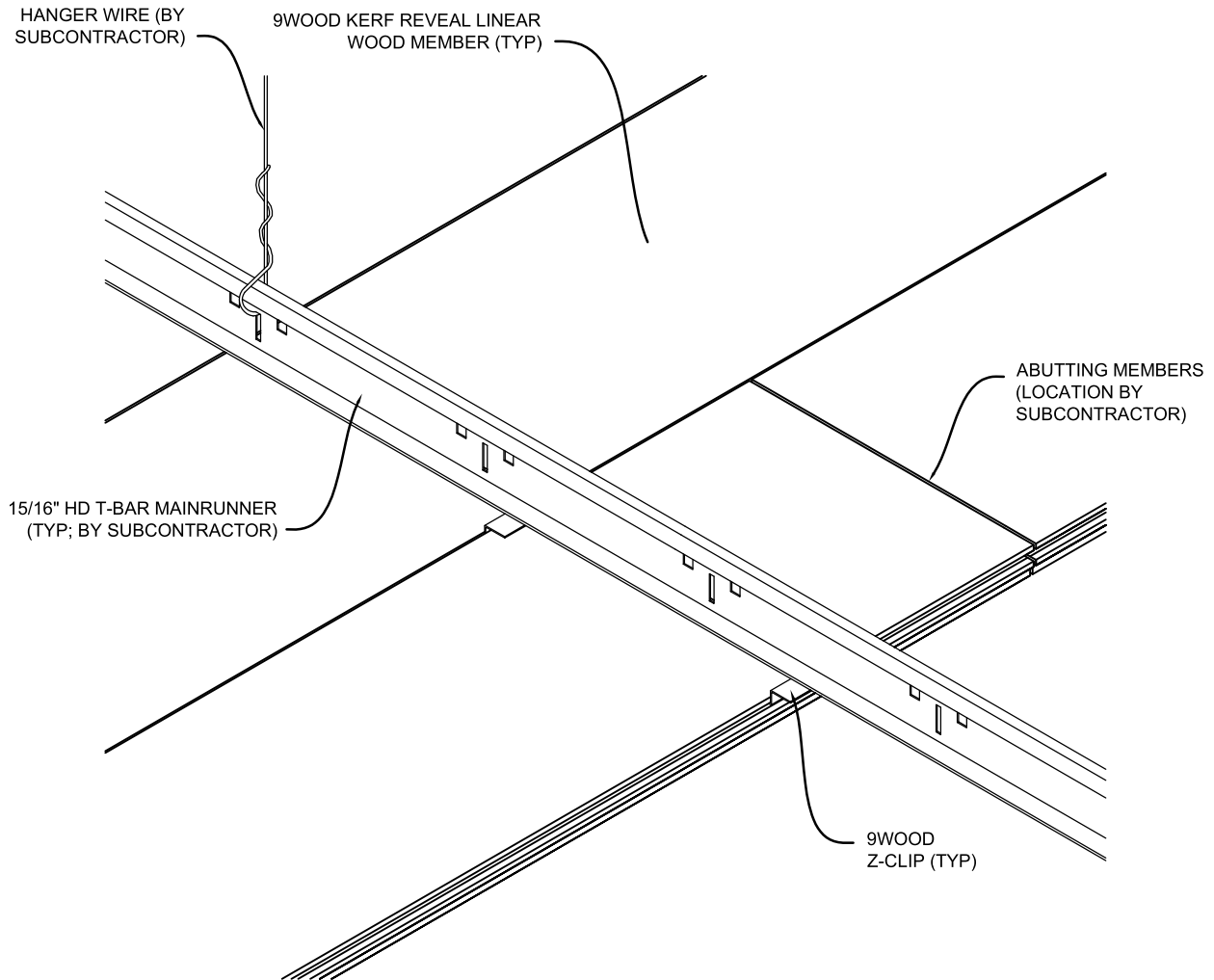
## 2700 Data Sheet



SERIES: 2000 LINEAR WOOD

STYLE: 2700 KERF REVEAL LINEAR

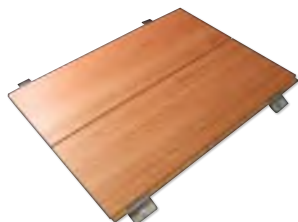
### Overview



The **2700 Kerf Reveal Linear** wood ceiling offers a design where the individual wood members abut with a thin reveal between each plank. Members are installed randomly to create a planked look. Member lengths are typically between 4' and 8'.

**Attachment** for the Kerf Reveal Linear is via progressive install, utilizing the 9Wood Z-Clip.





## 2700 Data Sheet



SERIES: 2000 LINEAR WOOD

STYLE: 2700 KERF REVEAL LINEAR

# Product Data

## Application

The Kerf Reveal Linear provides a planked look and creates a “wood floor-on- the-ceiling” appearance with clear delineations at board edges. Access can be through strategically located access panels or from room perimeters. Members are secured to T-Bar main runners progressively with the 9Wood Z-Clip.

## Performance

### Acclimatization

Kerf Reveal Linears must be cared for in a controlled interior environment (RH 25%-55% max; temp. 60°-80°) and installed only after reaching equilibrium moisture content. Should the building fall outside these limits, consult 9Wood for our 3 Tests/3 Tracks Acclimatization Advisory.

### Acoustics

The Kerf Reveal Linear is considered acoustically reflective.

### Fire Rating

Individual members and components can be treated with Class I (A) Fire Retardant chemicals (solid wood use FR coatings, veneered particleboard use FR formulas). Particular species or styles have not been tested.

### LEED

Kerf Reveal Linears may qualify toward MR-3, MR-4.1/4.2, MR-5.1/5.2, MR-6, MR-7, IEQ-4.2 or IEQ-4.4. As all products are custom-fabricated, LEED credit opportunities are project by project. Please contact 9Wood for specifics.

### MEP

The Kerf Reveal Linear permits MEP penetrations in the ceiling’s surface. Cut panels may require supplemental reinforcement. Fixtures and diffusers must be independently supported.

### Seismic

Clips are typically mechanically screwed to T-Bar for seismic compliance. Please consult local code or a licensed engineer for any additional requirements.

### Species & Finishes

9Wood can offer both domestic and imported species for the Kerf Reveal Linear. Clear, satin sheen finish is standard; custom stain matches are available.

### Suspension

Kerf Reveal Linears are directly attached to 15/16” heavy duty T-Bar main runners. Main runners are typically 2’ on center.

### System Weight

Kerf Reveal Linears typically weigh 3 pounds per square foot or less.



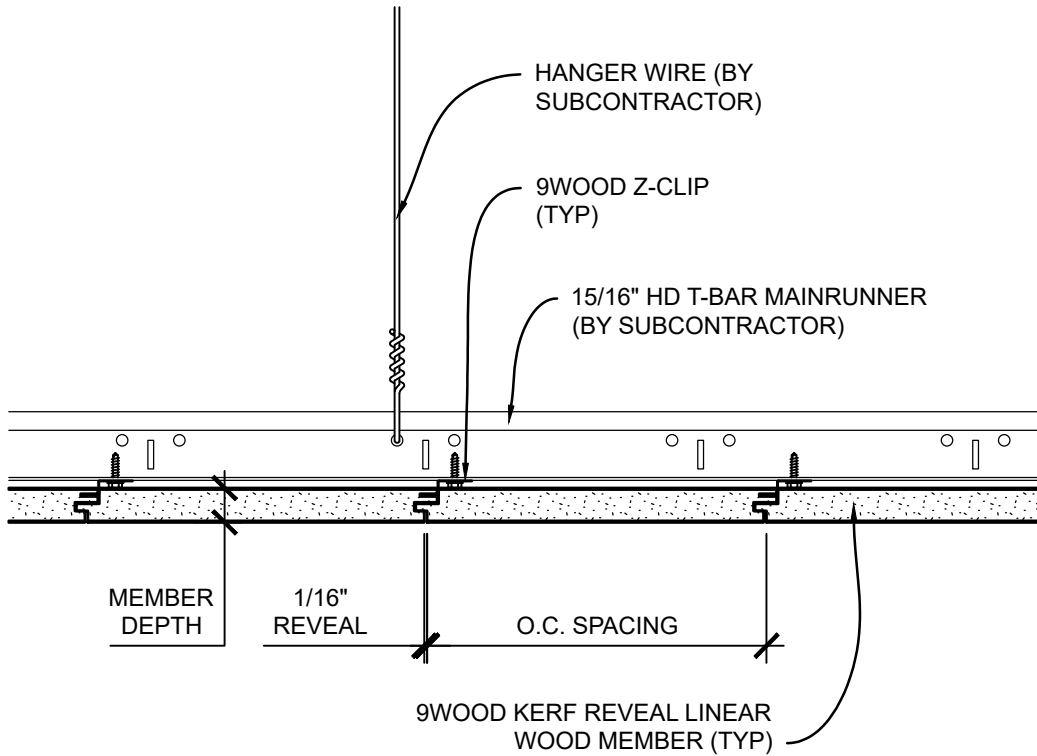
# 2700 Data Sheet



SERIES: 2000 LINEAR WOOD

STYLE: 2700 KERF REVEAL LINEAR

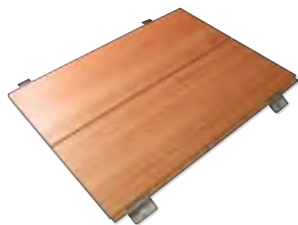
## Typical Specifications



### SKU Table

Depth	O.C Spacing	Members per Linear Foot		
		2	3	4
3/4"	3"			2714-4
3/4"	4"		2715-3	
3/4"	6"	2717-2		

\* Please see 9wood.com for information on appropriate species selections.



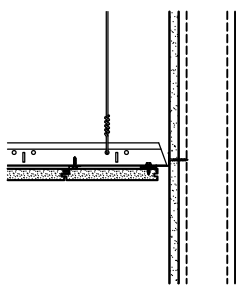
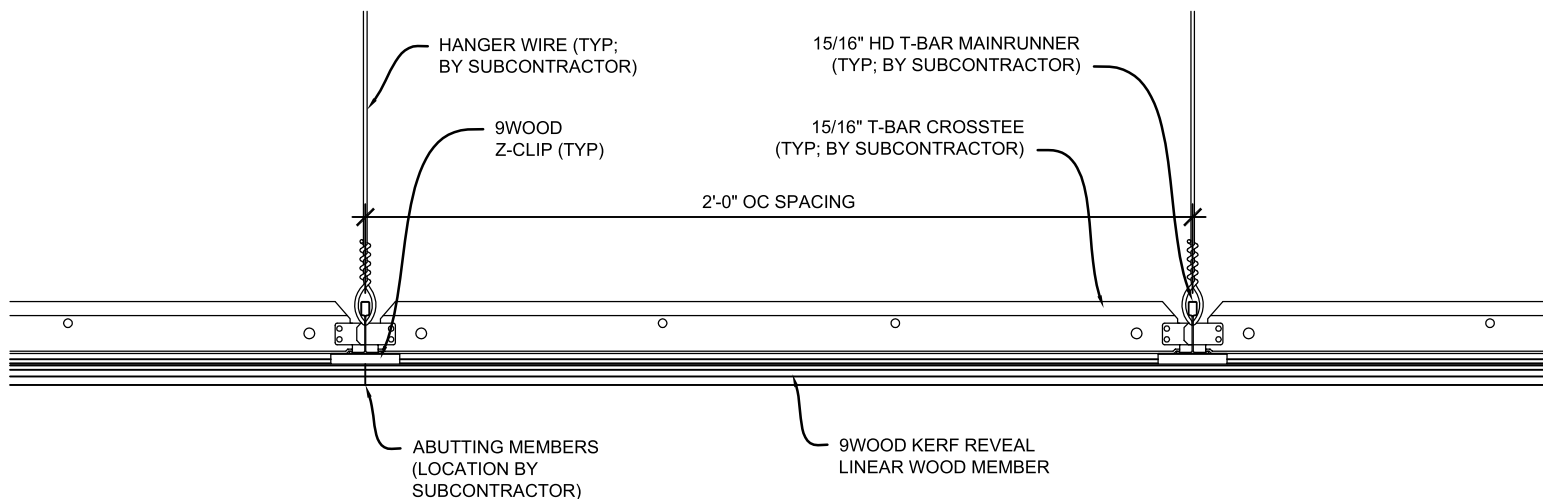
# 2700 Data Sheet



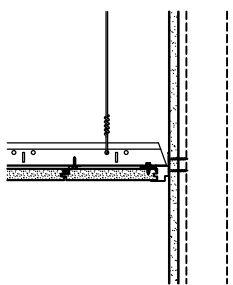
SERIES: 2000 LINEAR WOOD

STYLE: 2700 KERF REVEAL LINEAR

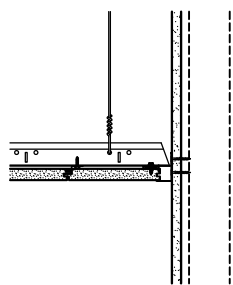
## Perimeter Conditions and Suspension



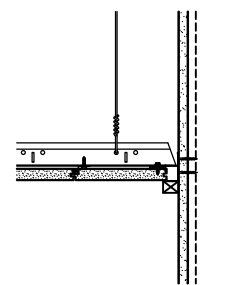
FLOATING OPEN REVEAL



METAL TRIM w/ SHADOW MOLDING



METAL TRIM w/ WALL ANGLE



WOOD TRIM w/ WALL ANGLE